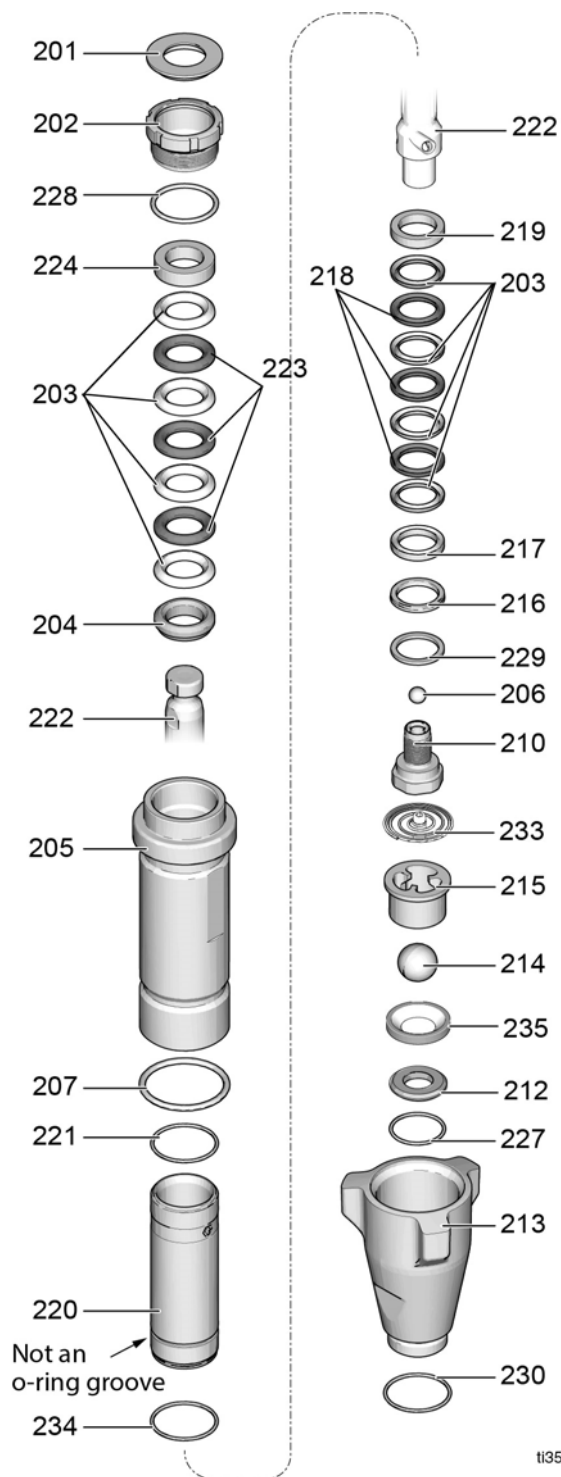


Mark X ProContractor Parts List

Ref.	Part	Description	Qty.	Ref.	Part	Description	Qty.
5	16C975	PLATE, pivot	1	84	258909	MOTOR, electric; <i>includes 125, 126, 127</i>	1
6	15C753	SCREW, mach, hex wash hd	6	85	24V086	ROD, connecting	1
7	105510	WASHER, lock, spring	2	87	241920	DEFLECTOR, threaded	1
8	15E891	CLIP, retaining	2	89	288035	GEAR, combination; <i>includes 28, 30</i>	1
10	156306	WASHER, flat	2	90	287990	HOUSING, drive; <i>includes 6, 36, 90a</i>	1
11	119509	WHEEL, pneumatic	2	90a	194173	WASHER, race, thrust	1
12	112600	WASHER, lock (hi-collar)	4	91	17H835	PUMP, displacement	1
14	17E790	SCREW, cap, socket head	4	93	244240	HOSE, drain; <i>includes 87</i>	1
15	101550	SCREW, cap, sch	2	94	24V029	KIT, Hose, cpld, 1/2 in.; <i>includes 19</i>	1
16	121311	FITTING, connector	1	105	16X698	HANGER, stand, cart	1
17	276974	CAP, leg	2	106	15C982	CAM, cart	2
18	260212	SCREW, hex washer, hd	2	107	114531	SCREW, mach, hex washer hd	4
19	102982	O-RING	1	108	16X209	PLATE, front, PCII, 7900	1
22	116038	WASHER, wave spring	2	110	17E925	LABEL, ProContractor Series	1
23	117791	SCREW, cap, tri lobe	2	117	187437	LABEL, torque	1
24	111040	NUT, lock, insert	4	123	276980	GROMMET, cover	2
28	114672	WASHER, thrust	2	124	119250	SCREW, shoulder	3
29	24M197	GUIDE, Hose, ultra platinum	1	125	15G845	SPACER, standoff	2
30	114699	WASHER, thrust	1	126	15V577	FAN, motor	1
31	118444	SCREW, mach, slot hex wash hd	5	127	122347	RING, retaining	1
35	117633	SCREW, slot hex wash hd	2	128▲		TAG, WARNING (not shown)	1
36	116192	WASHER, thrust, 1595	1	222385		English, French, Spanish	
37	100057	SCREW, cap, hex hd	4	17A134		English, Chinese, Korean	
39	16M441	TUBE, formed, ultra, platinum	1	17R476		English, Spanish, Portuguese	
41	24U755	FITTING	1	159	278075	BRACKET, wire	1
41a	16N461	HOUSING, seat, check valve	1	160	15Y118	LABEL, Made in the USA	1
41b	16X837	HOUSING, ball, check valve	1	180	112746	NUT, lock, thin pattern	2
41c	24M725	KIT, repair, check valve; <i>includes 41d, 41e, 41f</i>	1	▲ <i>Replacement safety labels, tags, and cards are available at no cost.</i>			
41d		O-RING	1				
41e		SEAT	1				
41f		BALL	1				
48	15V573	STRAINER, (1-11 1/2 npsm)	1				
51	24V025	COVER, drive, plastic, painted; <i>includes 31</i>	1				
55	16C457	HANGER, pail	1				
56	16X324	CLAMP, pump, large	1				
58	287282	SHIELD, motor, painted; <i>includes 123, 124</i>	1				
62	24Y426	FRAME, platinum, 1095/Mark V	1				
71	17E751	LABEL, front	1				
72	16X363	LABEL, right side	1				
77	16X203	CLIP, drain line	1				
83	24V089	HOUSING, bearing; <i>includes 7, 12, 14, 15, 31, 55, 56, 77, 108, 117, 180</i>	1				

Parts - Pump 17H827, 17H835, 17H837

Ref.	Part	Description	Qty.
201*	112590	SEAL, throat	1
202	16X768	NUT, packing	1
203*	193722	V-PACKING, throat, V-Max, UHMWPE, blue	8
204*	15G658	GLAND, male, throat	1
205		CYLINDER, pump	1
	17H869	Model 17H827	
	17H873	Model 17H835	
	17H875	Model 17H837	
206*	17R047	BALL, check (Ceramic)	1
207*	160325	PACKING, o-ring	1
210	249177	VALVE, piston	1
212		KIT, seat, carbide	1
	17H889	Model 17H827 includes 214, 227 (Ceramic check ball)	
	24N013	Model 17H835, 17H837 includes 214, 227, 233 (ceramic check ball)	
213		VALVE, intake (foot)	1
	15E655	Model 17H827	
	15A303	Model 17H835, 17H837	
214		BALL, check, inlet	1
	17Y504*	Model 17H827 (Ceramic)	
	17R046*	Model 17H835, 17H837 (Ceramic)	
215		GUIDE, ball	1
	198505	Model 17H827	
	17Y281	Model 17H835, 17H837	
216*	119636	WIPER, piston	1
217*	189588	GLAND, female, piston	1
218*	15E639	V-PACKING, leather, piston	3
219*	189585	GLAND, male, piston	1
220	249121	SLEEVE, cylinder, MaxLife	1
221*	108822	O-RING, ptfе	1
222		ROD, piston	1
	17H880	Model 17H827	
	17H883	Model 17H835	
	17H885	Model 17H837	
223*	112591	V-PACKING, leather, throat	3
224*	15G657	GLAND, female, throat	1
227*	107098	O-RING, ptfе	1
228*	156593	O-RING	1
229*	15J800	WASHER, backup	1
230*	118494	O-RING, fluoroelastomer (Model 17H827 only)	1
233		SPRING, intake, ball	1
	249770	Model 17H827	
	24E027	Model 17H835, 17H837	
234*	17E793	O-RING, FX90	1
235	17Y288	SEAL, ball guide (Model 17H835, 17H837)	1



ti35291a

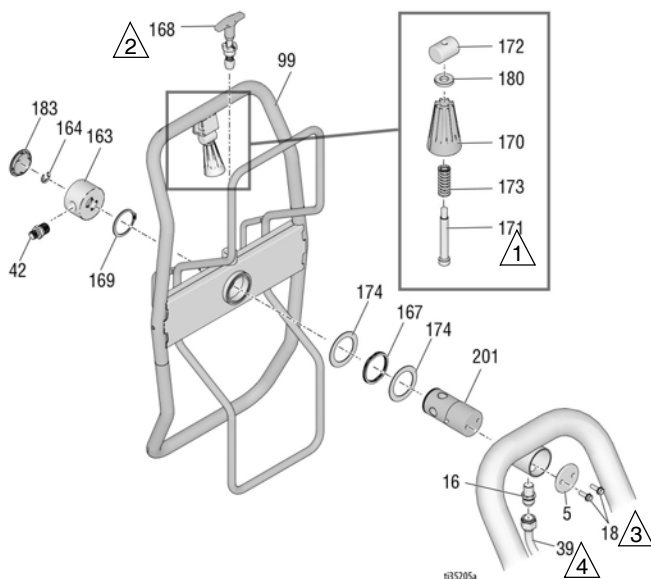
* These parts are also included in Repair Kit 17H844 (ceramic balls), which may be purchased separately.

* These parts are also included in Repair Kit 17H852 (ceramic balls), which may be purchased separately.

Diagrams and Parts

QuikReel

Ref.	Torque
△1	130-150 in-lb (14.6 - 16.9 N•m)
△2	25-35 ft-lb (33.8 - 47.4 N•m)
△3	120-130 in-lb (13.5 - 14.6 N•m)
△4	38-42 ft-lb (51.5 - 56.9 N•m)

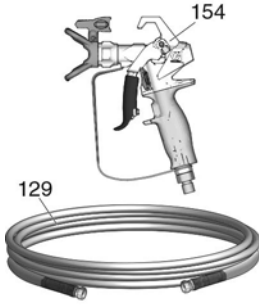


QuikReel Parts List

Ref. Part	Description	Qty.	Ref. Part	Description	Qty.
5	16C975 PLATE, Pivot Mount	1	163	24B248 CAP, swivel, complete	1
16	121311 FITTING, Connector, NPT x JIC	1	164	122347 RING, retaining, external	1
18	260212 SCREW, Hex Washer HD	2	167	122534 SPRING, wave	1
39	24V095 695/795 Models 24J081 1095/Mark V Models 16M441 Mark X	1	168	24E400 PIN, pop, lock out	1
42	16M441 Mark X ADAPTER	1	169	122524 RING, retaining, external	1
99	164672 695/795/1095/1595 196178 Mark IV/Mark V 159239 Mark VII/Mark X 24B691 REEL, Hose, ultra	1	170	278085 HANDLE, swivel	1
			171	122518 PIN	1
			172	15X618 NUT, pin	1
			173	122542 SPRING	1
			174	122607 WASHER, flat	2
			180	122669 WASHER	1
			183	122787 CAP	1
			201	24E016 TUBE, Hose Reel, Pivot	1

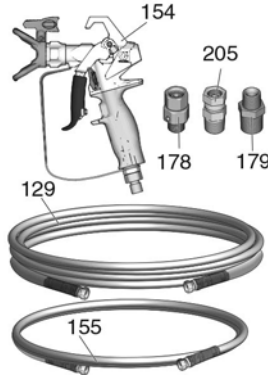
Spray Gun and Hose

695-1595 Models

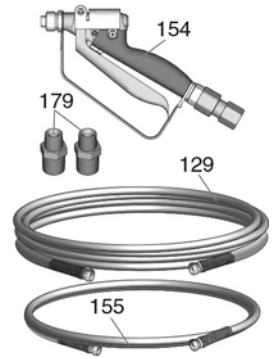


t134939b

Mark IV-Mark VII Models



Mark X Models

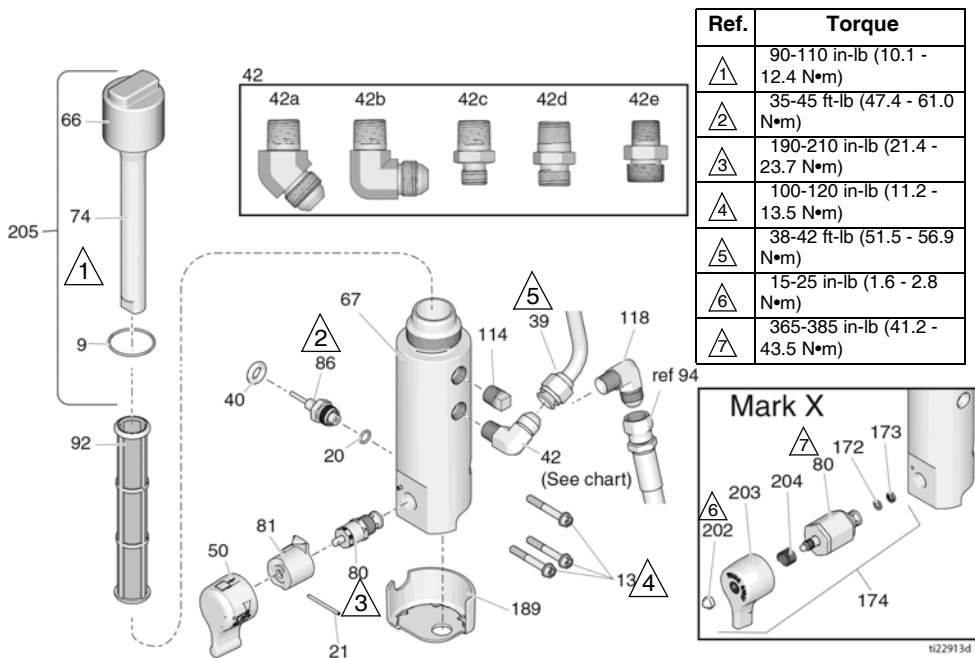


Spray Gun and Hose Parts List

Ref. Part	Description	Qty.
129	HOSE, coupled	
240794	Ultra, 1/4" x 50'	1
826079	Ultimate, 1/4" x 50'	1
245225	Mark IV/Mark V, 3/8" x 50'	1
278499	Mark VII/Mark X, 1/2" x 50'	1
154	SPRAY GUN	
17Y042	Ultra, North America	1
17Y044	Ultra, Asia	
17Y043	Ultra, Europe	
826252	695/795/1095/1595 Ultimate	1
241705	Mark V/Mark VII	1
246468	Mark IV	1
245820	Mark X	1
155	HOSE, whip	
241735	Mark IV/Mark V, 1/4" x 3'	1
191239	Mark VII/Mark V, 3/8" x 11'	1
178	189018 SWIVEL	1
179	BUSHING	
110476	Mark IV/Mark V	1
159239	Mark VII	1
159239	Mark X	2
205	110476 ADAPTER (Mark VII only)	1

Diagrams and Parts

Filter

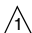

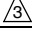
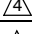
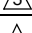
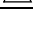


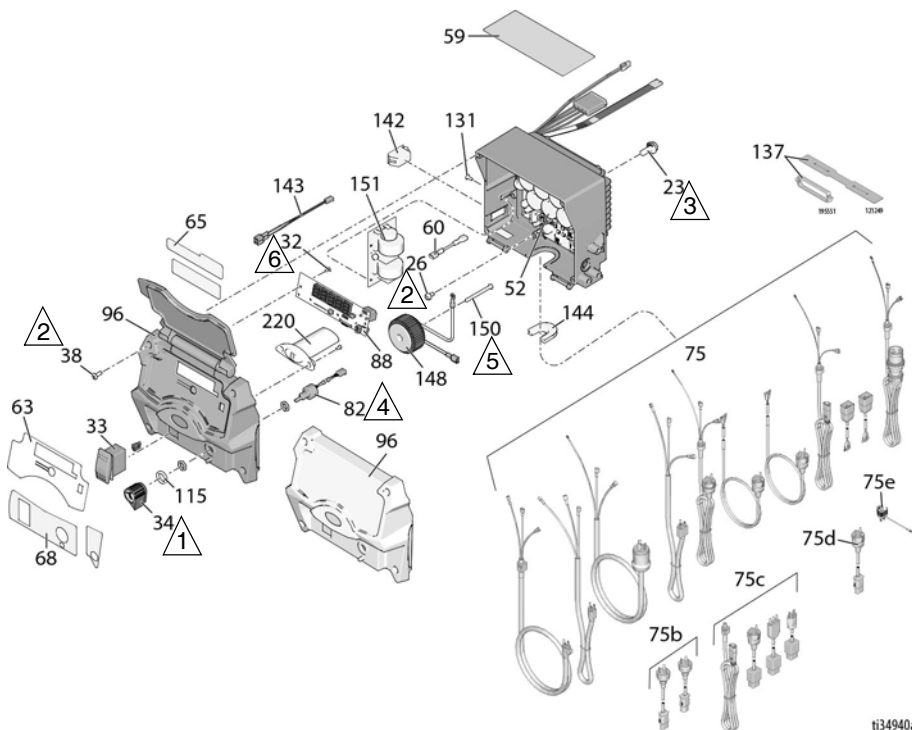
Filter Parts List

Ref. Part	Description	Qty.	Ref. Part	Description	Qty.
9	117285 PACKING, o-ring	1	24A382	Standard series	
13	16U013 SCREW, cap, socket head	3	86	243222 TRANSDUCER, pressure control; includes 20	1
20	111457 PACKING, o-ring	1	92	244071 FILTER, fluid	1
21	15C972 PIN, grooved	1		244067 30 mesh	
39	24V095 TUBE, formed	1		244068 60 mesh, original equipment	
	24J081 695/795 Models			244069 100 mesh	
	24J081 1095/Mark V Models		114	104813 PLUG, pipe, 3/8	1
	16M441 Mark X		118	125926 FITTING, elbow	1
40	121889 GROMMET, transducer	1	172	193709 SEAT, valve	1
42	FITTING		173	193710 SEAL, seat, valve	1
42a	122533 1095/1595/Mark V/Mark VII (ProContractor series)	1	174	245103 KIT, repair, valve, Mark X; includes 80, 172, 173, 202, 203, 204	1
42b	125926 695/795/Mark IV/Mark X (ProContractor series)	1	189	17A197 GUARD, base, filter (ProContractor/IronMan Series)	
42c	164672 695/795/1095/1595 (Standard and IronMan series)	1	202	116424 NUT, Mark X	1
42d	196178 Mark IV/Mark V (Standard and IronMan Series)	1	203	15G563 HANDLE, valve, Mark X	1
42e	183285 Mark VII/Mark X (Standard and IronMan Series)	1	204	114708 SPRING, compression, Mark X	1
50	24E234 Standard Series		205	287285 KIT, repair, cap, filter includes 9, 66, 74	
66	17E680 CAP, filter	1	206	115523 GAUGE, pressure (not shown)	1
67	16T543 BASE, filter	1	207	FITTING, tee swivel (not shown)	
74	15C766 TUBE, diffusion	1	119783	695/795/1095/1595	1
80	24B156 VALVE, prime, HD	1	127518	Mark IV, Mark V, Mark VII, Mark X	1
81	287879 VALVE, prime, Mark X	1	208	FITTING (not shown)	
			162453	695/795/1095/1595	1
			196178	Mark IV, Mark V	1
			183285	Mark VII, Mark X	1

Diagrams and Parts

Control Box Diagram

Ref.	Torque
	10-15 in-lb (1.1 - 1.7 N•m)
	40-45 in-lb (4.5 - 5.0 N•m)
	200-230 in-lb (22.6 - 25.9 N•m)
	30-35 in-lb (3.3 - 3.9 N•m)
	15-20 in-lb (1.7 - 2.2 N•m)
	2-3 in-lb (0.2 - 0.4 N•m)



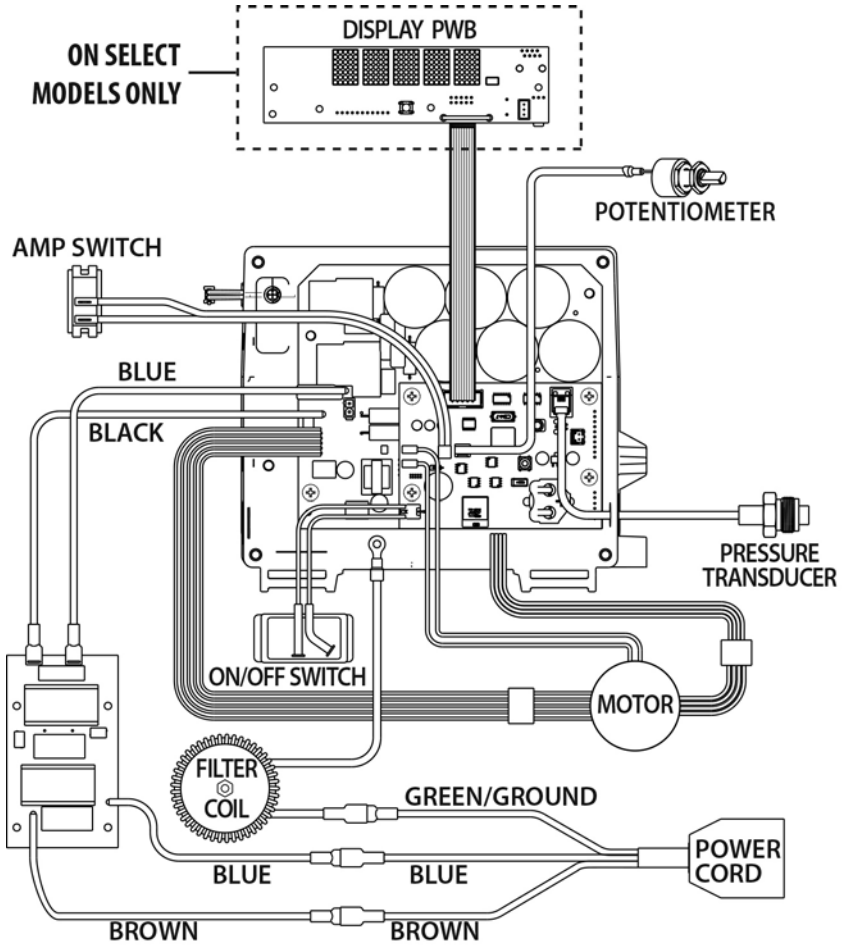
ti34940a

Control Box Parts List

Ref. Part	Description	Qty.	Ref. Part	Description	Qty.
23	117791 SCREW, cap, flange head	2	82	256219 POTENTIOMETER, assembly	1
26	114391 SCREW, grounding	1	88	16Y496 DISPLAY	1
32	115522 SCREW, mach, pnh (ProContractor/IronMan series)	3	96	COVER, control	1
33	116752 SWITCH, rocker, ON/OFF	1	17H886	With Display; includes 32, 38, 63, 65, 68, 88, 196	
	15D527 SWITCH, rocker, Mark X	1	17H887	Without Display; includes 38, 63, 68, 196	
34	116167 KNOB, potentiometer	1	115	15C973 GASKET	1
38	16V095 SCREW, #10, taptite phil	4	131	16T482 RIVET, snap	2
52	CONTROL, board includes 23, 26, 60, 131, 142, 144	1	137	RETAINER, plug adapter	1
	25N545 120V Models		195551	695/795/1095/Mark IV/Mark V	
	25N546 240V Models		121249	Mark VII/Mark X Models	
59▲	LABEL, warning	1	142	SWITCH/PLUG	
	16T784 North America	1	16T483	695/795/1095/Mark IV/Mark X, North America (plug)	1
	15G596 Europe	1	126029	Mark VII/Mark X Models (10/16 amp)	1
	16Y762 Asia/ANZ	1	120059	120059 120V (15/20 amp)	
	16Y761 Japan	1	143	15G935 CONNECTOR, electrical (1595/Mark V)	1
60	16T541 JUMPER WIRE	1	144	STRAIN RELIEF	
63	17E725 LABEL, control box cover, ultra (with display)	1	16T546	695/795/1095/Mark IV/Mark V International Models	1
	17E726 LABEL, control box cover, ultra (without display)	1	16T547	695/795/1095/Mark V, Domestic Models	1
65	17E724 LABEL, lid, Ultra (with display)	1	16T547	695/795/1095, Japanese Models	1
68	17E723 LABEL, control	1	16T544	Mark VII/Mark X International Models	1
	16Y786 LABEL, control (Standard series)	1	116171	1595/Mark V/Mark X, North American Models	1
75	CORD, power		116171	Mark V Japanese Models	1
	17E804 120V Models, 695, 795, 1095, Mark IV	1	145	117745 BUSHING, strain relief (Mark VII/Mark X, International Models)	1
	17E804 Japanese Models 695, 795, 1095	1	148	24V030 KIT, repair, coil; includes 150	1
	17E805 120V Models, 1595, Mark V	1	150	16U215 SCREW, machine, flat head	1
	17E805 Japanese Models, Mark V	1	151	BOARD, filter	
	17E806 Mark X NEMA L6-30	1	25N516	230V International Models	1
	17E807 120V CSA Models, 1595, Mark V	1	25N517	110V International Models	1
	17E808 EU CEE 7/7	1	25N518	Mark X International Models	1
	17E809 Mark VII EU CEE 7/7	1			
	17E810 Mark X EU CEE 7/7	1			
	17E811 EU Multicord	1			
	17E812 Mark VII Multicord	1			
	17E813 Mark X Multicord	1			
	17E814 UK	1			
75b	China/Australia				
	242005 695/795/1095/Mark IV/Mark V	1			
	17A242 Mark X	1			
75c	Italy/Denmark/Switzerland				
	287121 695/795/1095/Mark IV/Mark V	1			
	253103 Mark VII/Mark X Models	1			
75d	242001 EU CEE 7/7	1			
75e	244285 Japan	1			

▲ Replacement safety labels, tags, and cards are available at no cost.

Mark X (International)



034565a